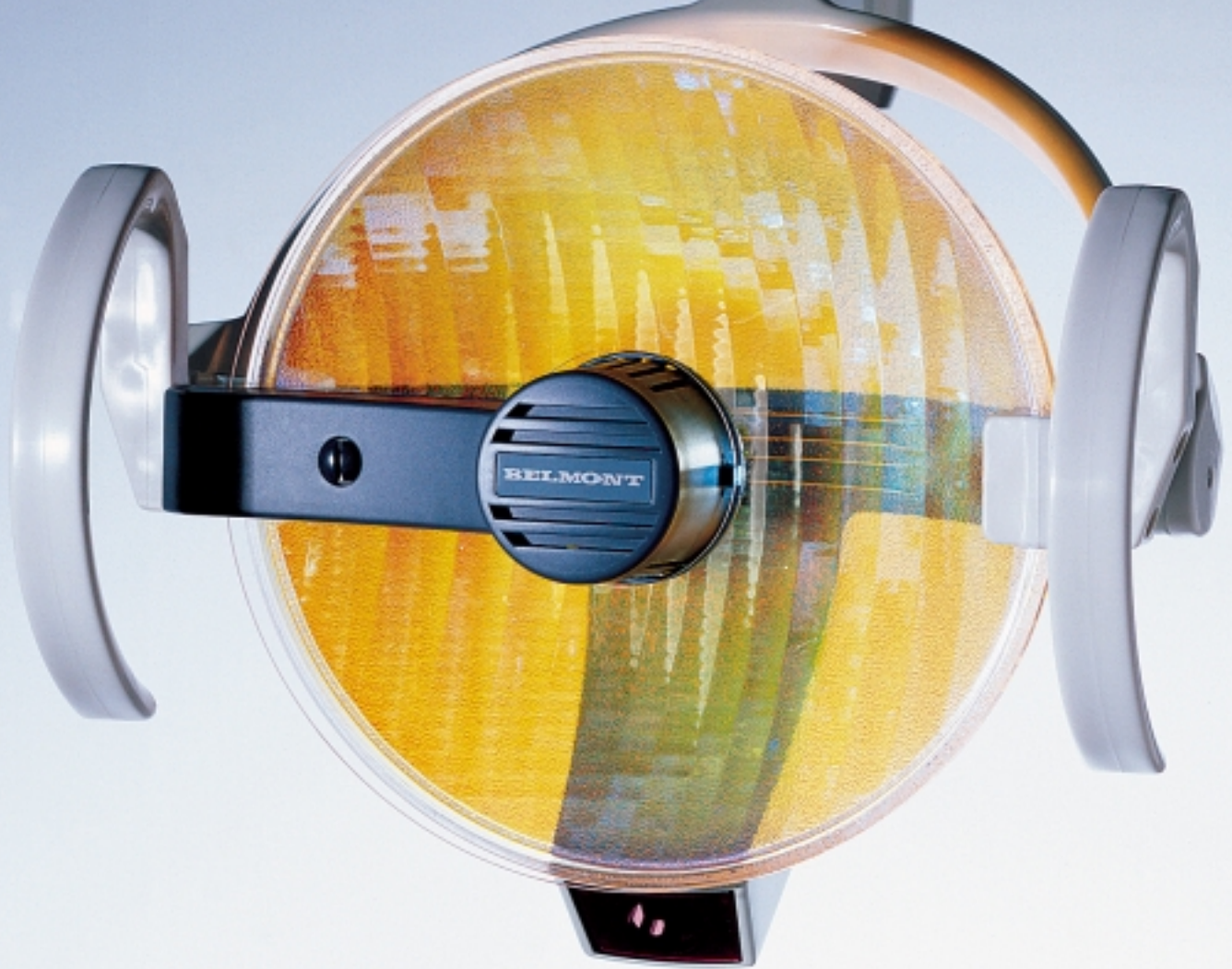


CLESTA

 Belmont®



*Shade Selection in
the Light of Day
with Touchless
On/Off Activation*

DENTAL LIGHT

4000°K	4500°K	5000°K	5500°K	6000°K	6500°K	7000°K
--------	--------	--------	--------	--------	--------	--------

Approximating the ideal white of natural daylight, shades matched with a light color in the 5000K range will appear ideal in most lighting conditions.

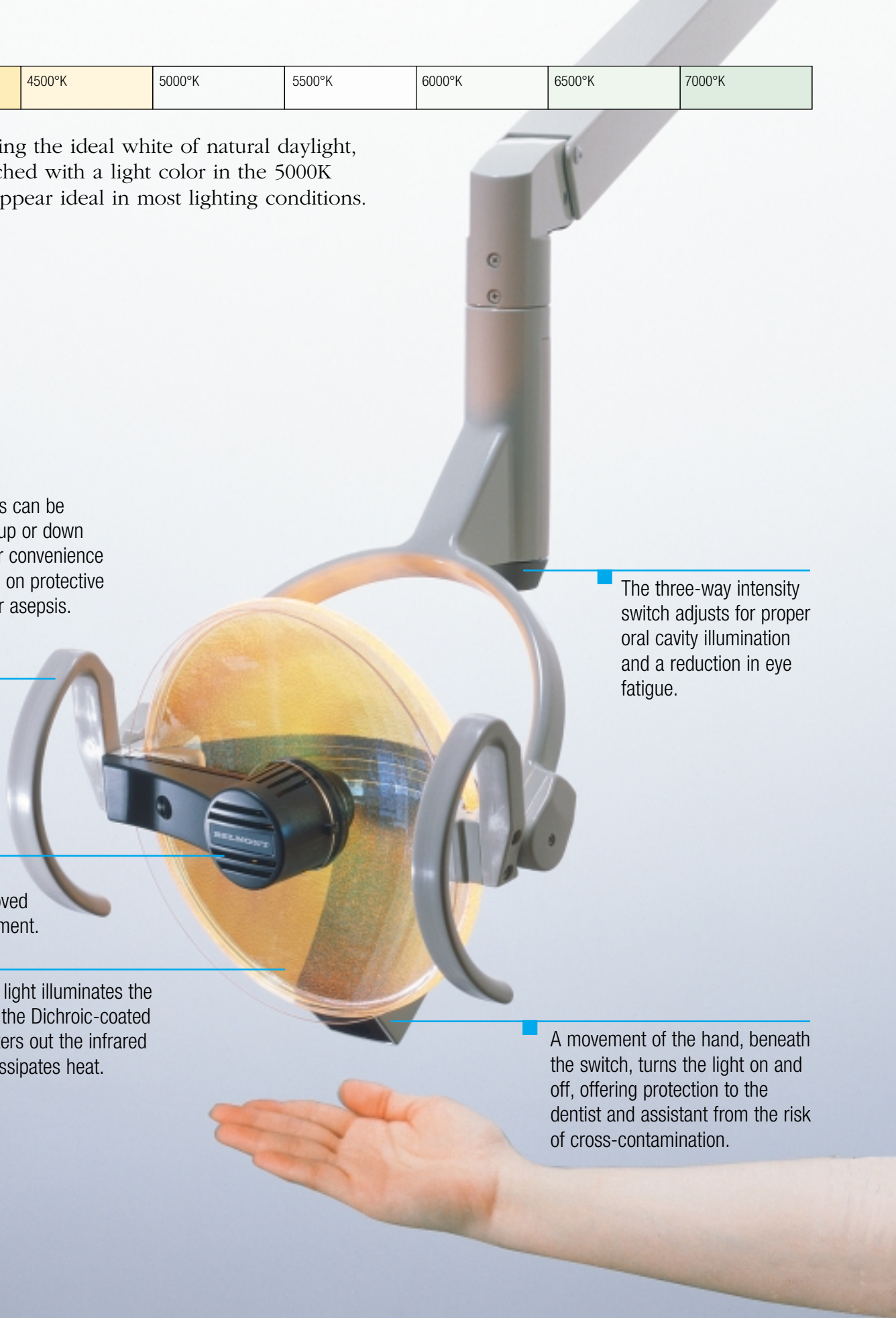
The handles can be positioned up or down for operator convenience and putting on protective covering for asepsis.

The three-way intensity switch adjusts for proper oral cavity illumination and a reduction in eye fatigue.

The bulb is easily removed for replacement.

Cool, white light illuminates the oral cavity; the Dichroic-coated reflector filters out the infrared rays and dissipates heat.

A movement of the hand, beneath the switch, turns the light on and off, offering protection to the dentist and assistant from the risk of cross-contamination.





Track mount:
8', 9', 10'



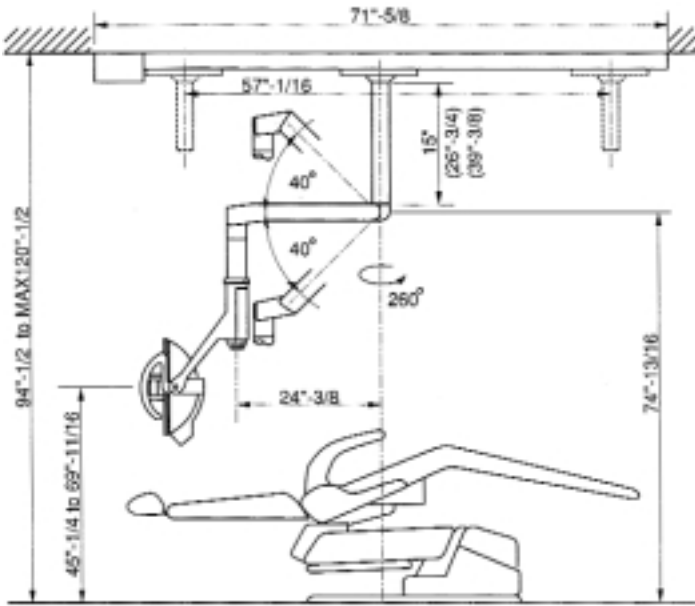
Unit mount:
For delivery systems with
48" light poles



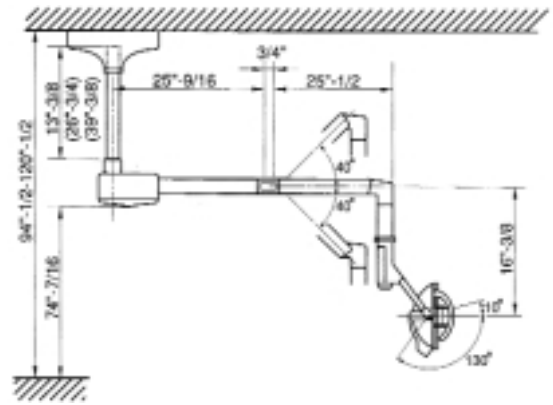
Ceiling mount:
8', 9', 10'



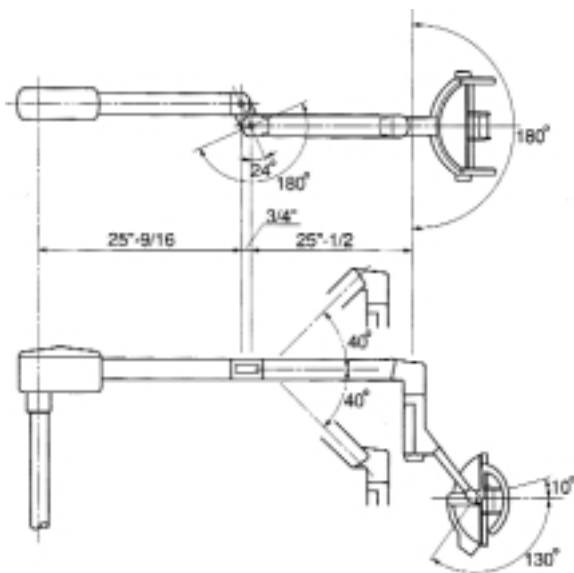
Unit mount:
with curved 2" post



Track Light
Model: 505



Ceiling Light
Model: 502



Unit Mount Light
Model: 501

SPECIFICATIONS

Rating Voltage: AC.100/110/115V and
AC.220/230/240V

Power Output: 65W

Output Voltage: 223.7V 21.9V 19.6V

Bulb Type: Tungsten Halogen Type
(JA24V60W)

Light Output: 2650FTC High
2100FTC Medium
1400FTC Low

Color Temperature: 5000Kelvin

Light Pattern: 3" X 7.5" at 29'

UL/ETL listed



7950 Cherry Ave. Suite 103,
Fontana, CA 92336

866.274.8351 • f 951.848.9700
www.ashteldental.com