



**öwandy**  
DENTAL IMAGING SYSTEMS & SOFTWARES

## **Elios AC - Altis DC** **Intraoral radiology**

---

**Two perspectives, one treatment**

# Altis DC

## High-frequency technology: an incomparable asset



### DC technology brings innovation to radiodiagnostics

*Altis DC is a high-frequency radiology machine designed to meet the needs of today's practitioners. It combines technological performance, ease of use, and improved protection from radiation to provide extremely high image quality.*

### Enhanced precision

**Equipped with DLC high-frequency technology, the Altis DC generator guarantees consistent exposure settings.** It offers a wealth of information and easy interpretation of images - two essential conditions for making the correct diagnosis.

### Two power levels for twice the precision

- **High-frequency generator with DLC technology:** low-voltage dual current with variation of less than 2%.
- **4 mA or 5 mA** as appropriate for your needs: digital or traditional images.

- **65 kV :** the use of a Single High Voltage increases the optimal dynamic levels for digital sensors and film, yielding a wider range of visible gray levels.

### The Altis DC generator guarantees total stability of your exposure settings.

### Enhanced reliability

- **Exposure times are accurate to nearly one-hundredth of a second.**
- **The timer is powered by a microchip** so you retain complete control over the exposure parameters at all times.
- **A beeping sound** is produced while x-rays are being generated, to enhance your safety and that of your patient.

### Increased accuracy

- The Altis DC's timer - simple, precise, and functional in design - serves as an effective control centre.
- The exposure settings are displayed on the timer screen for real-time monitoring.

### Choose between two operating modes:

- The manual mode (0.01 to 2 seconds) offers complete autonomy for configuring and adjusting the exposure parameters.
- Automatic mode, easier and more reliable, provides pre-programmed settings.
- **Three types of patients**
- **Five types of teeth and examinations**
- **Four types of media** (sensor, film 1, film 2, undefined), according to your choice; the mA values (4 or 5) are selected automatically.





**Altis DC**

intraoral radiology

# Image definition that's worthy of your diagnostic skills



- Bitewing x-ray



- Retroalveolar x-ray



## Enhanced safety

The dosage of radiation is reduced. HF technology eliminates hazardous soft rays. Radiation levels are effectively 25% lower than with conventional generators, with immediate safety benefits for you and your patient.

- Moreover, the addition of a collimator (35 x 45 mm) and a 30 cm cone, which are automatically detected by the generator's electronics, reduces the area of exposure to provide even greater protection against radiation.
- In the event of an error or malfunction, x-ray emission is stopped immediately.

Safety is a critical benefit for you and your patient.

**More assistance, greater assurance.**



## Stability: your guarantee of successful images

- The highly user-friendly rotating arm is designed for simple operation with no improper movement and **can easily be manoeuvred into the desired position.**
- An incidence scale makes it easy to find just the right position.

## Enhanced well-being

### Better ergonomics

Small in size, with a flexible arm, timer, compact generator, and a harmonious colour, the Altis DC matches high technology with aesthetics for seamless integration into your dental practice.

**The timer includes a simple cable, similar to those on telephones, so that it can be placed wherever is most convenient for you.**

## A design that meets your needs

### Enhanced space savings

Regardless of your practice's layout, function, and available space, there is space for the Altis DC to help you operate effectively.

Offered as a wall-mounted assembly with a range of extension arms (30, 60, and 80 cm).

**Altis DC fits naturally into your environment.**



# Elios AC

## The **reliable** approach



**Three assets:**  
performance, quality,  
and ergonomics.

*Elios AC is designed to offer optimal, reliable performance for your day-to-day x-ray needs.*

**Wall configuration**  
**Ceiling configuration**  
**Mobile configuration**



### **Quality images**

- **Designed solely to create high-definition images**, the 70 kV generator offers an extremely fine focal spot.
- The compact, functional generator is simple to operate.

### **Easy and flexible to use**

**The rotating arm is stable, reliable, and highly resistant.**

Choose the configuration that best suits your needs. Regardless of the configuration you select, Elios AC will find a natural home in your dental practice.

Adaptable to everyone in your practice, it can be mounted on the wall or ceiling to save space. Extensions are available in lengths of 30, 60, and 80 cm to help you to find the best arrangement for the space you have. **Install Elios AC how you want, where you want.**

### **Opt for safety**

**Elios AC includes remarkable safety features for you and your patients.** If the operating microchip detects a malfunction, the timer stops the exposure.



## Elios AC

intraoral radiology



- Retroalveolar x-ray

### Safety: taking your health seriously

You can program the Elios AC with total precision

- **The timer is powered by a microchip** to ensure strict, reliable compliance with exposure times.
- **Consistent image quality**, regardless of fluctuations in the electrical network, is guaranteed thanks to automatic compensation.

- **Equipped with 30 anatomical programs** that can be adjusted to each patient and tooth type, the Elios AC timer provides a guarantee of extremely accurate exposure times and radiation dosages (0.02 to 3.80 seconds).
- **Adjust the exposure times with the touch of a button.** The Elios AC immediately adjusts to the film's sensitivity.

- **Every type of image**, including retroalveolar, bitewing, and occlusal x-rays, is pre-programmed into the unit.
- **You can use the screen to monitor exposure times and conditions throughout the process.** For added safety, the Elios AC displays a warning light and generates a sound whenever x-rays are being emitted.

- **The Elios AC is designed to reduce exposure times** - it takes just one button to produce a digitised image.

**With just a touch and a glance, the timer is there to help you.**





# Altis DC

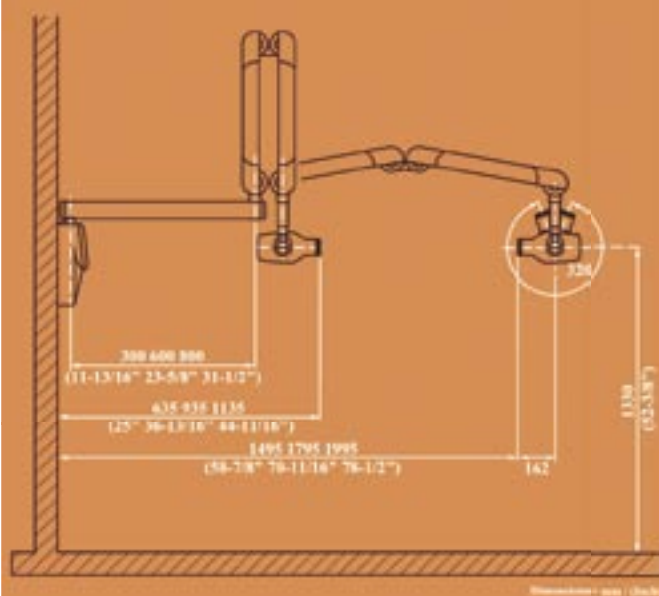
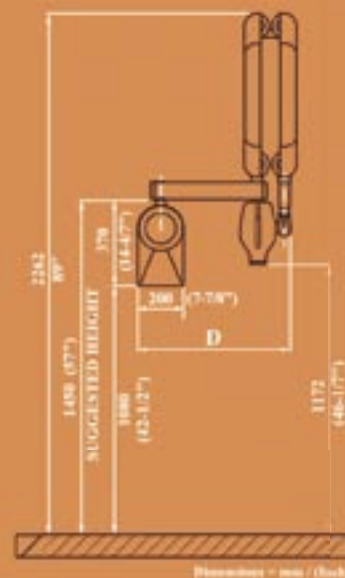
intraoral radiology



## Altis DC technical specifications

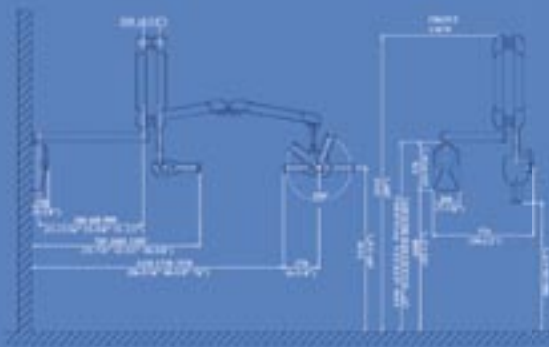
Device	Altis DC Class II B 93/42 EN 60601-1, EN 60601-1-1 EN 60601-1-2, EN 60601-1-3 EN60601-1-4, EN 60601-2-7 EN60601-2-28, EN 60601-2-32 EN 1441
Voltage	220/230/240V ± 10% / 50-60 Hz
Pre-programmed exposure times	0.01 - 2 seconds (35 increments)
Tube current	4 mA or 5 mA
Focal length	0.7 mm (IEC 336)
Distance from focal spot to skin	20 cm (standard) 30 cm (with cone extension)
Tension	High-frequency 65 kV, DC (Inverse frequency: 100 kHz)
Total filtration	> 2 mm Al eq. @ 65 kW
Timer	Powered by microchip 60 pre-programmed exposure times
Serial interface	RS 232 serial port for future applications
Extension arm	30, 60, 80 cm
Dimensions when fully extended	1,495 mm / 1,795 mm / 1,995 mm
Handswitch	with extension cable (3 m) or directly on the timer

The EC symbol certifies that the product complies with the 93/42/EEC directive

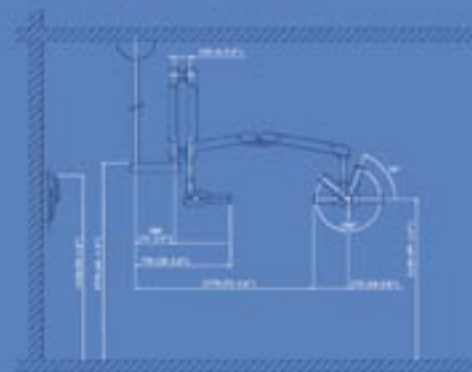




### Wall configuration



### Ceiling configuration



### Mobile configuration



### Elios AC technical specifications

Device	Elios AC
Class	Class II B 93/42 EN60601-1, EN60601-1-1 EN60601-1-2, EN60601-1-3 EN60601-1-4, EN60601-2-7 EN60601-2-28, EN60601-2-32 EN 1441
Voltage	230V $\pm$ 10% / 50 Hz
Exposure times	0.02 - 3.2 seconds (33 increments)
Tension	70 kV $\pm$ 6% @ 230 V
Radiogenic tube current	8 mA
Focal length	0.8 mm (IEC 336)
Total filtration	> 2 mm Al eq. @ 70 kV
Minimum distance, focal spot to skin	20 cm 30 cm (with collimator option)

**Elios AC - Altis DC**  
intraoral radiology



Dealer stamp

**Owandy SAS**  
6, allée Kepler  
77420 Champs sur Marne  
France  
Tel: +33 (0)1 64 11 18 18  
Fax: +33 (0)1 64 11 18 10  
Email: [info@owandy.com](mailto:info@owandy.com)  
[www.owandy.com](http://www.owandy.com)

DIGITAL SENSORS  
PANORAMIC UNITS  
CAMERAS  
**RADIOLOGY EQUIPMENTS**  
SOFTWARES