



owandy
DENTAL IMAGING SYSTEMS & SOFTWARES

Elios AC
Intraoral radiology

The **reliable** approach

Elios AC

The **reliable** approach



Three assets:
performance, quality,
and ergonomics.

Elios AC is designed to offer optimal, reliable performance for your day-to-day x-ray needs.

Wall configuration
Ceiling configuration
Mobile configuration



Quality images

- **Designed solely to create high-definition images**, the 70 kV generator offers an extremely fine focal spot.
- The compact, functional generator is simple to operate.

Easy and flexible to use

The rotating arm is stable, reliable, and highly resistant.

Choose the configuration that best suits your needs. Regardless of the configuration you select, Elios AC will find a natural home in your dental practice.

Adaptable to everyone in your practice, it can be mounted on the wall or ceiling to save space. Extensions are available in lengths of 30, 60, and 80 cm to help you to find the best arrangement for the space you have. **Install Elios AC how you want, where you want.**

Opt for safety

Elios AC includes remarkable safety features for you and your patients. If the operating microchip detects a malfunction, the timer stops the exposure.



Elios AC

intraoral radiology



- Retroalveolar x-ray

Safety: taking your health seriously

You can program the Elios AC with total precision

- **The timer is powered by a microchip** to ensure strict, reliable compliance with exposure times.
- **Consistent image quality**, regardless of fluctuations in the electrical network, is guaranteed thanks to automatic compensation.

- **Equipped with 30 anatomical programs** that can be adjusted to each patient and tooth type, the Elios AC timer provides a guarantee of extremely accurate exposure times and radiation dosages (0.02 to 3.80 seconds).
- **Adjust the exposure times with the touch of a button.** The Elios AC immediately adjusts to the film's sensitivity.

- **Every type of image**, including retroalveolar, bitewing, and occlusal x-rays, is pre-programmed into the unit.
- **You can use the screen to monitor exposure times and conditions throughout the process.** For added safety, the Elios AC displays a warning light and generates a sound whenever x-rays are being emitted.

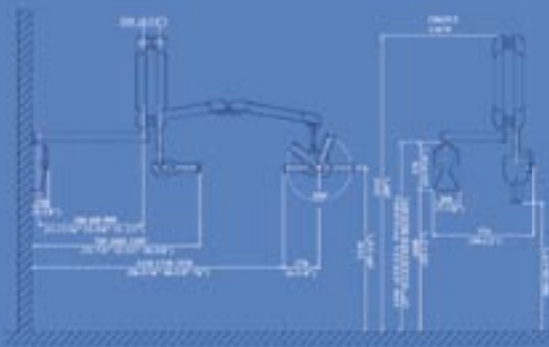
- **The Elios AC is designed to reduce exposure times** - it takes just one button to produce a digitised image.

With just a touch and a glance, the timer is there to help you.

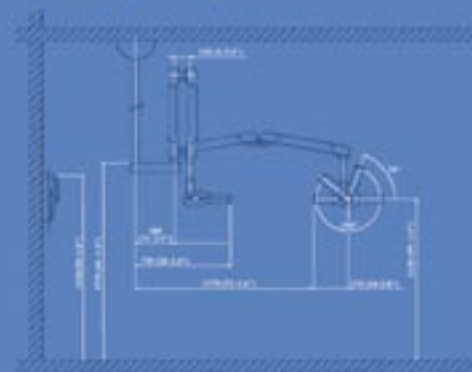




Wall configuration



Ceiling configuration



Mobile configuration



Elios AC technical specifications

Device	Elios AC
Class	Class II B 93/42 EN60601-1, EN60601-1-1 EN60601-1-2, EN60601-1-3 EN60601-1-4, EN60601-2-7 EN60601-2-28, EN60601-2-32 EN 1441
Voltage	230V \pm 10% / 50 Hz
Exposure times	0.02 - 3.2 seconds (33 increments)
Tension	70 kV \pm 6% @ 230 V
Radiogenic tube current	8 mA
Focal length	0.8 mm (IEC 336)
Total filtration	> 2 mm Al eq. @ 70 kV
Minimum distance, focal spot to skin	20 cm 30 cm (with collimator option)